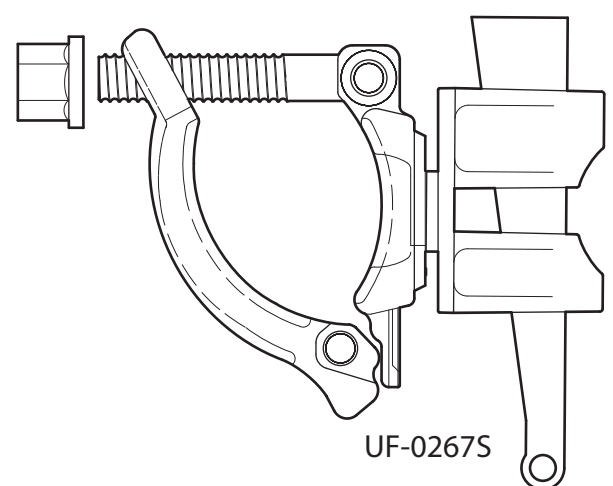
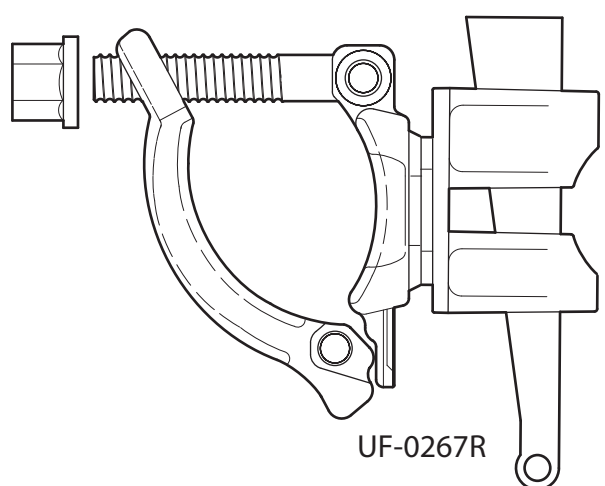
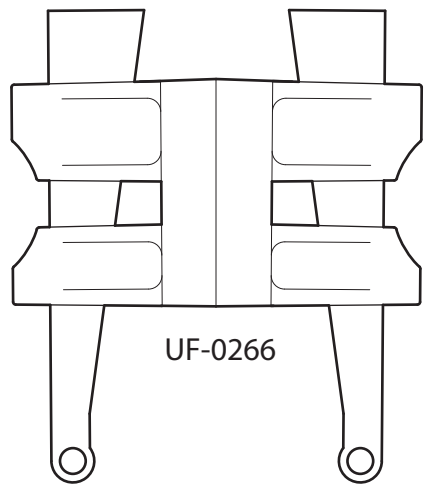




Ringlock Adapter Clamps

PRODUCT INFORMATION SHEET



Product Code	Description	Weight	
		Lbs.	Kg.
UF-0266	Double Wedge	2.6	1.2
UF-0267R	Right Angle Adapter Clamp	3.0	1.4
UF-0267S	Swivel Adapter Clamp	3.1	1.4