

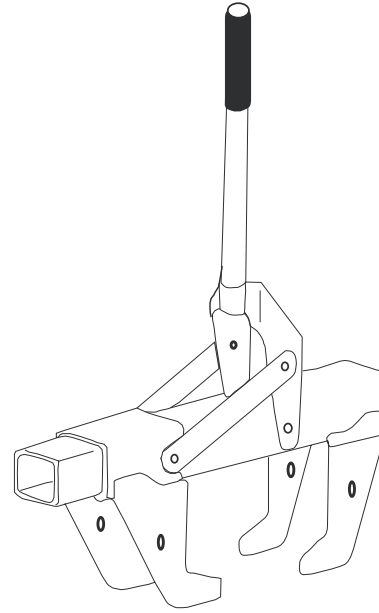
Universal features clamp connections that eliminate the need for tools and aligning bars. Setting up or changing the configuration of gangs is quick and simple with these innovative attachment clamps. Other clamp-style forming systems require several types of specialized clamps even for relatively common applications. Universal has just two clamps that are used for any forming configuration. This reduces confusion, boosts productivity and simplifies operations.

Connecting Clamp

UF-54550 (8.5 lbs)

The Connecting Clamp eliminates the need for tools. The width of the jaws is easily hand adjusted by a large tension screw at one end of the clamp. The clamp is opened and closed with the lever action handle.

The Connecting Clamp can be used both horizontally and vertically on panels, fillers and corners.

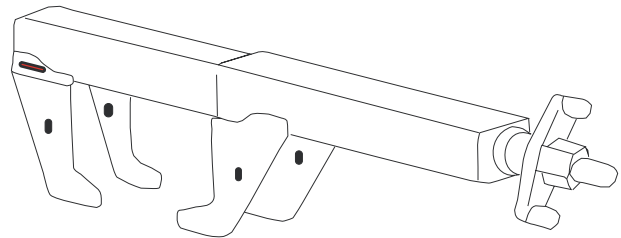


Adjustable Clamp

UF-54551 (12.2 lbs)

The Adjustable Clamp also eliminates the need for tools. The width of the jaws is adjusted by turning the wing nut along with threaded rod. The jaws can accommodate fillers up to 10" wide.

The Adjustable Clamp can also be used both horizontally and vertically to satisfy required dimensions.



Tie-Off Rod

UF-722321 (2.2 lbs)

The Tie-Off Rod is designed for easy attachment of personal safety equipment. The design meets the Occupational Safety and Health Administrations (OSHA) 5,000lb capacity requirement for personal fall protection.

