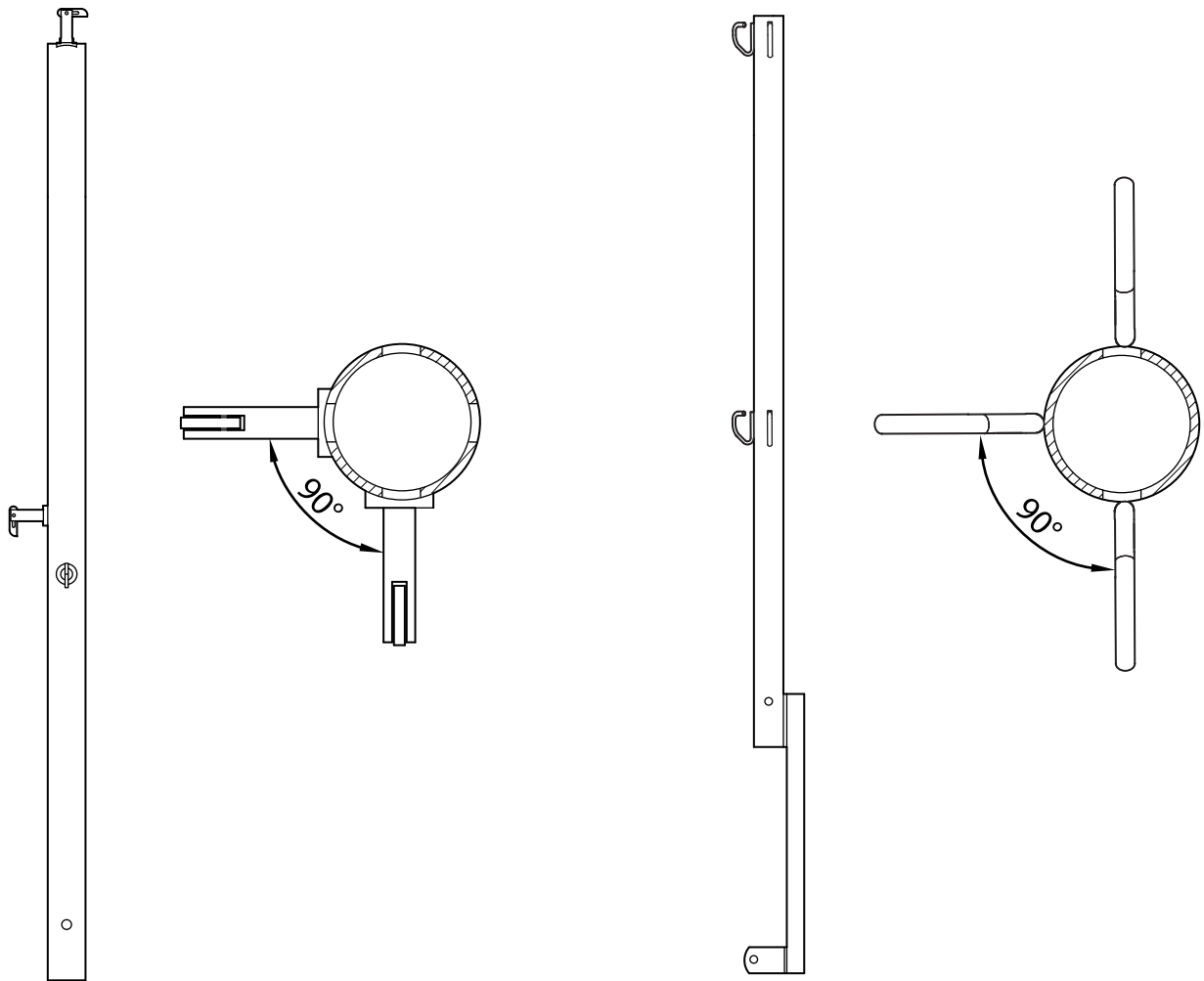




universal
Scaffolding

Guard Rail Posts

PRODUCT INFORMATION SHEET



Product Code	Description	Lbs.	Kg.
UF-0231	Guard Rail Post	6.2	2.8
UF-0223L	Guard Rail Post w/ Kicker	9.1	4.1

F7