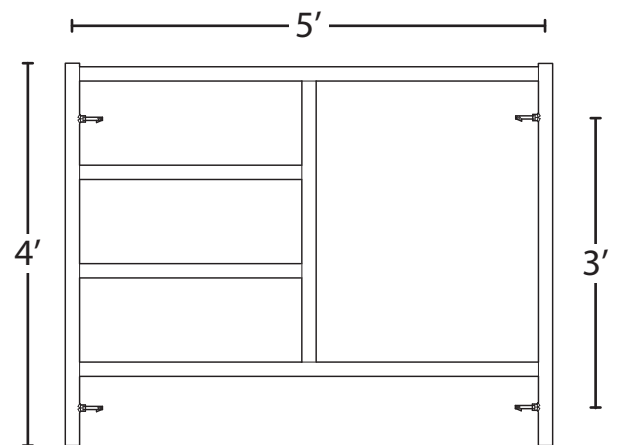
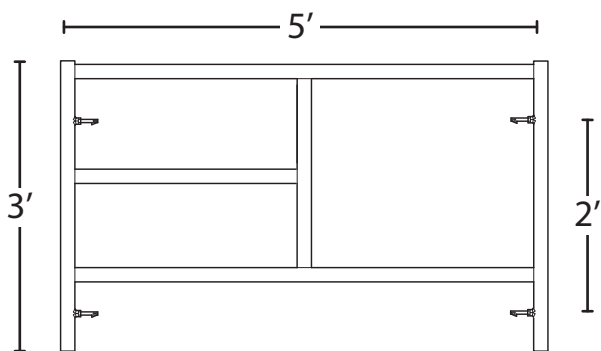
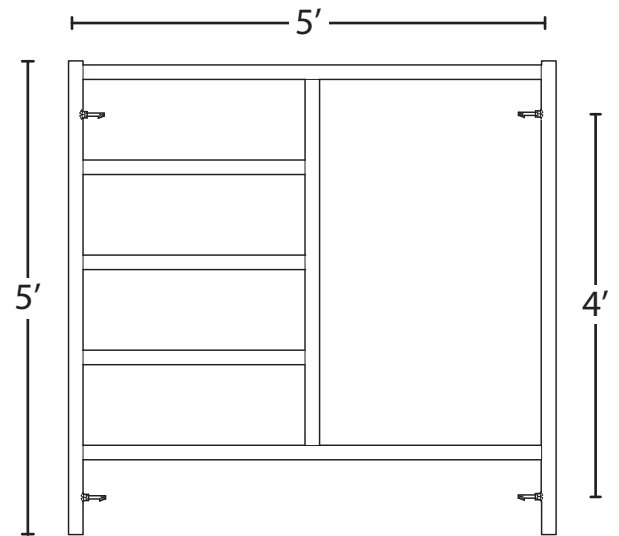
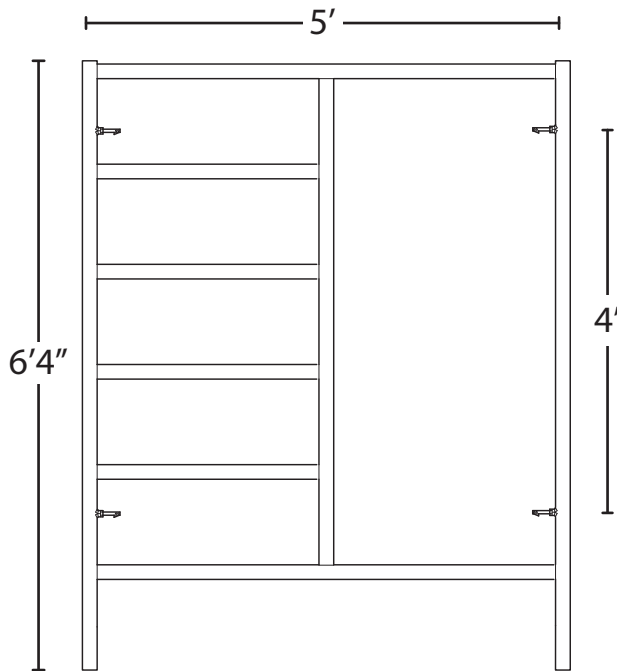




universal  
Scaffolding

# Masonry Ladder Frames

## PRODUCT INFORMATION SHEET



| Product Code | Description             | Lbs. | Kg.  |
|--------------|-------------------------|------|------|
| F564C        | 5' x 6' 4" Ladder Frame | 50.5 | 22.9 |
| F55C         | 5' x 5' Ladder Frame    | 44.0 | 20.0 |
| F54C         | 5' x 4' Ladder Frame    | 43.4 | 19.7 |
| F53C         | 5' x 3' Ladder Frame    | 42.2 | 19.2 |

F1