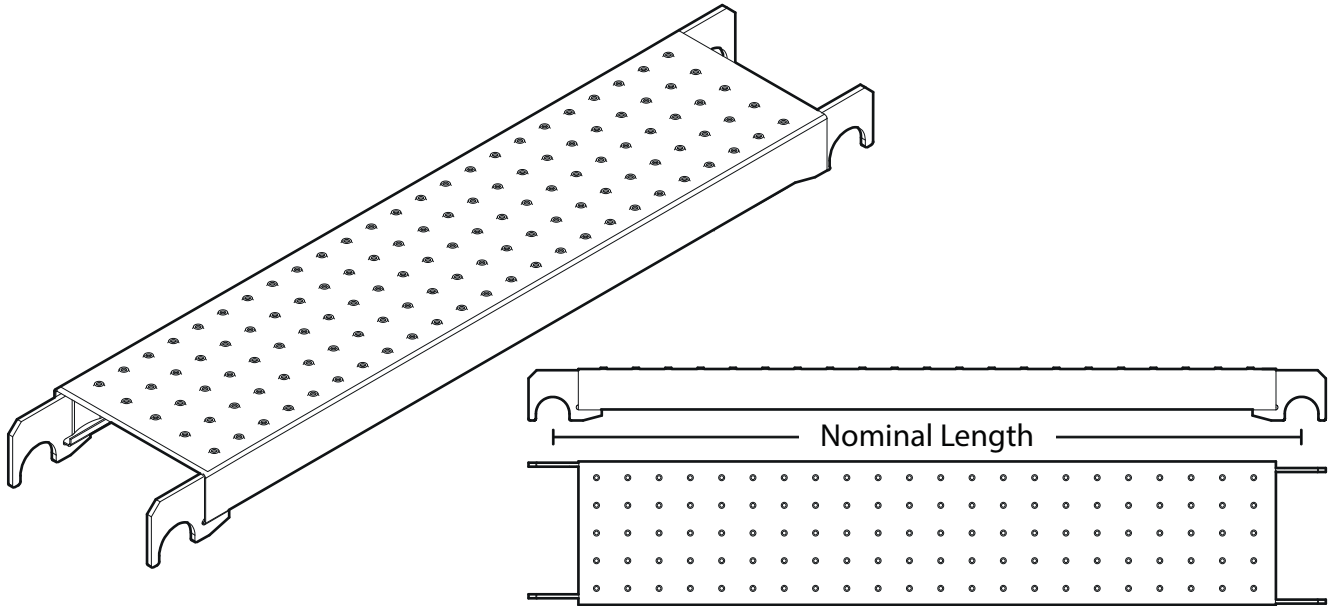


Standard Steel Plank

PRODUCT INFORMATION SHEET



Product Code	Description	Nominal Length		Weight	
		Inches	Meters	Lbs.	Kg.
SSP110	1' 10" Plank w/ Hooks	22	0.56	13.6	6.2
SSP20	2' 0" Plank w/ Hooks	24	0.61	14.4	6.5
SSP27	2' 7" Plank w/ Hooks	31	0.79	16.5	7.5
SSP211	2' 11" Plank w/ Hooks	35	0.89	18.1	8.2
SSP30	3' 0" Plank w/ Hooks	36	0.91	18.2	8.3
SSP36	3' 6" Plank w/ Hooks	42	1.07	20.4	9.3
SSP310	3' 10" Plank w/ Hooks	46	1.17	21.8	9.9
SSP40	4' 0" Plank w/ Hooks	48	1.22	22.7	10.3
SSP41	4' 1" Plank w/ Hooks	49	1.24	23.1	10.5
SSP410	4' 10" Plank w/ Hooks	58	1.47	26.3	11.9
SSP411	4' 11" Plank w/ Hooks	59	1.50	26.7	12.1
SSP50	5' 0" Plank w/ Hooks	60	1.52	26.9	12.2
SSP52	5' 2" Plank w/ Hooks	62	1.57	27.7	12.0
SSP54	5' 4" Plank w/ Hooks	64	1.63	28.4	56.0
SSP510	5' 10" Plank w/ Hooks	70	1.78	31.0	14.1
SSP60	6' 0" Plank w/ Hooks	72	1.83	31.4	14.2
SSP70	7' 0" Plank w/ Hooks	84	2.13	35.7	16.2
SSP80	8' 0" Plank w/ Hooks	96	2.44	40.2	18.2
SSP82	8' 2" Plank w/ Hooks	98	2.49	41.1	18.6
SSP86	8' 6" Plank w/ Hooks	102	2.59	42.4	19.2
SSP90	9' 0" Plank w/ Hooks	108	2.74	44.8	20.3
SSP100	10' 0" Plank w/ Hooks	120	3.05	49.0	22.2