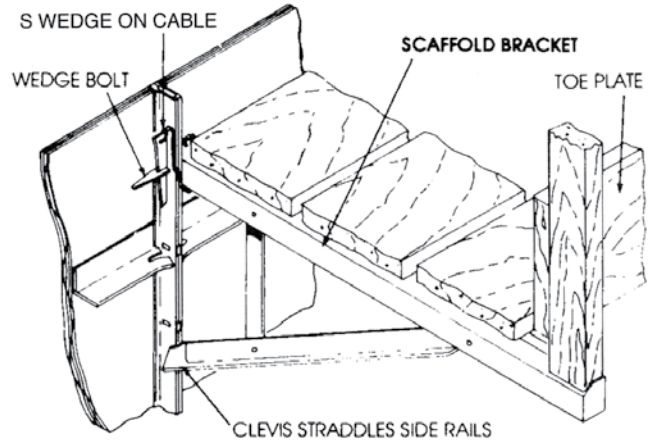


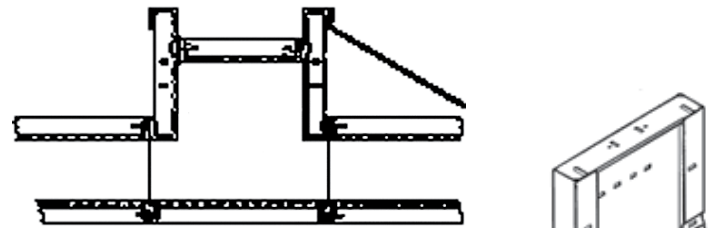
Scaffold Bracket

The Uni-Form Scaffold Bracket assembly provides a safe access platform for above-grade applications. The Scaffold Bracket is quickly attached to form work with a Wedge Bolt and the attached S-Wedge. Scaffold planking, toe boards and guard rails (by contractor) complete that work platform.



Pilaster Forms

Pilaster of less than 12 inches are formed quickly and easily using the Uni-Form and Pilaster Forms. The Pilaster Form eliminates the need for using inside and outside corners with specific filler sizes. Pilaster Forms can be used to form concrete pilasters from 1 to 12 inches deep in 1 inch increments.



Footing Corner Bracket

Footing, pad and slab forming with Uni-Form is made easy with the Footing Corner Bracket and the Stake Plate. Two Footing Corner Brackets at each corner, one on top and one on the bottom hold the panels firmly, and at virtually any dimension that your job requires (2" increments). The Stake Plates are then positioned along the top edge of the Uni-Form panels as needed for steel stakes to hold the forms in place against the concrete pressure. Either 3/4" round or I-beam steel stakes can be used with the Stake Plate. The Stake Plates can be located midway between Uni-Form crossmembers and end rails to provide access for a stake puller.

