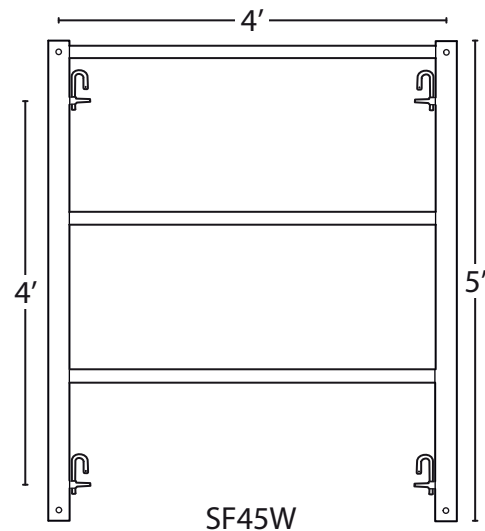
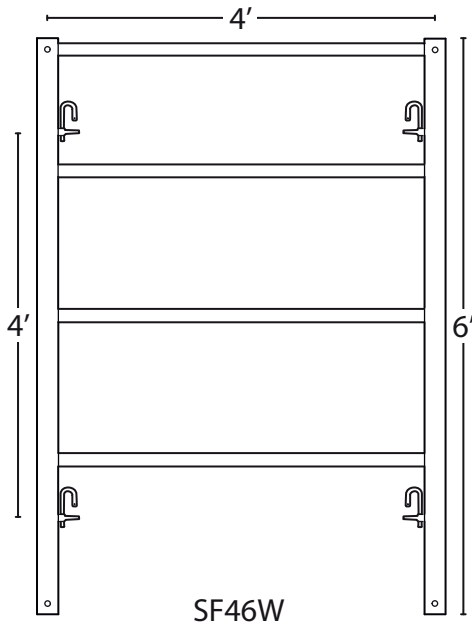
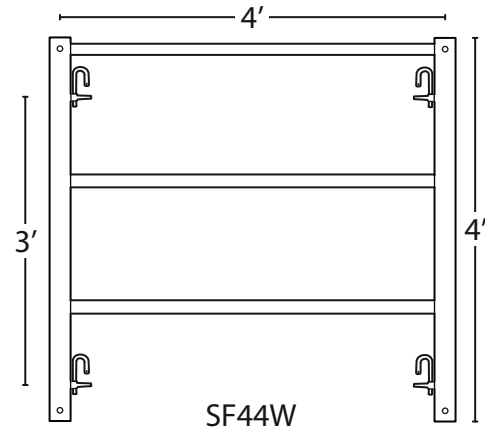
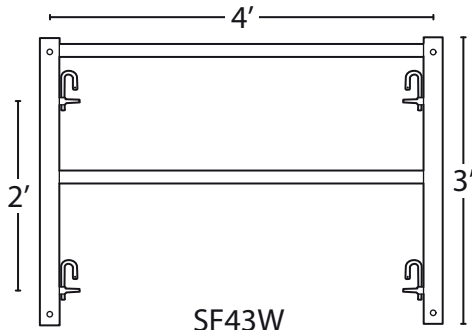




universal  
Scaffolding

# Shoring Frames

## PRODUCT INFORMATION SHEET



Product Code	Description	Weight	
		Lbs.	Kg.
SF43W	4' x 3' Shoring Frame	34.0	15.4
SF44W	4' x 4' Shoring Frame	46.0	20.9
SF45W	4' x 5' Shoring Frame	54.0	24.5
SF46W	4' x 6' Shoring Frame	67.0	30.4