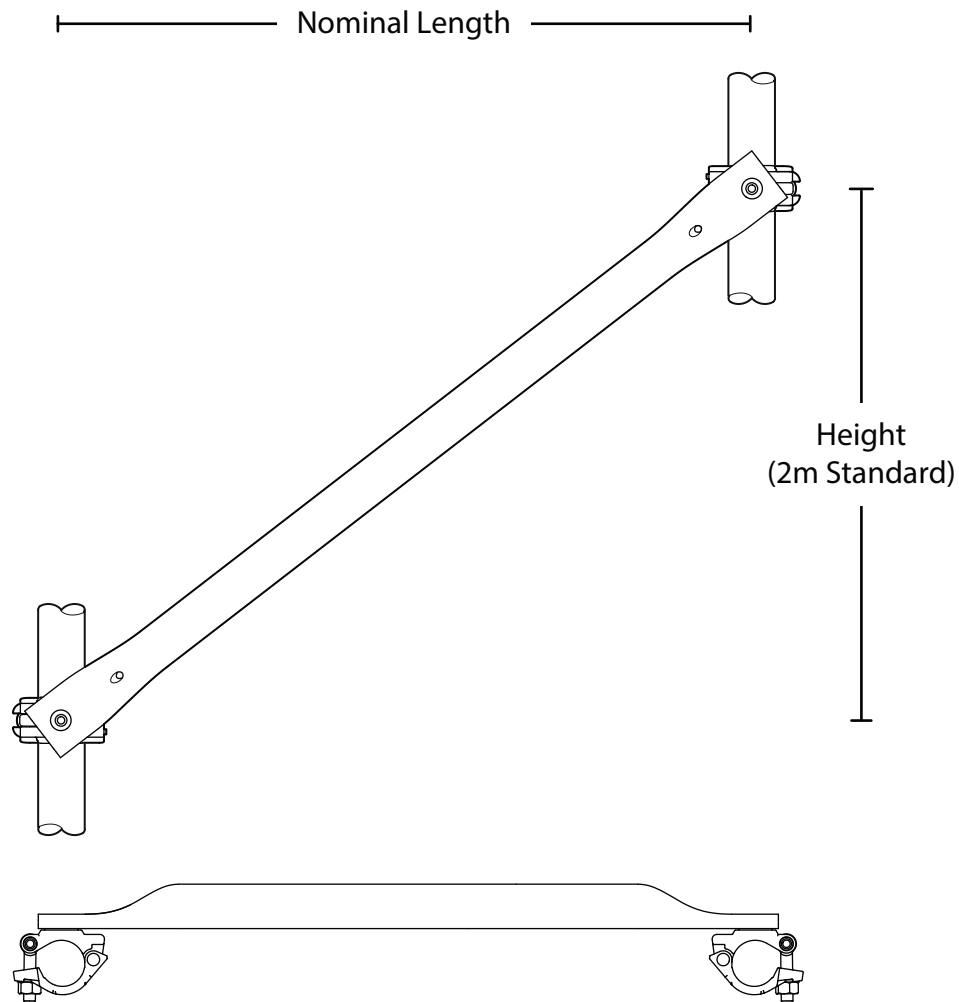




universal
Scaffolding

Swivel Clamp Brace

PRODUCT INFORMATION SHEET



Product Code	Description	Nominal Length		Weight	
		Inches	Meters	Lbs.	Kg.
CCB50	5' 0" Swivel Clamp Brace	60	1.52	27.8	12.6
CCB70	7' 0" Swivel Clamp Brace	84	2.13	31.2	14.2
CCB80	8' 0" Swivel Clamp Brace	96	2.44	33.1	15.0
CCB82	8' 2" Swivel Clamp Brace	98	2.49	33.5	15.2
CCB90	9' 0" Swivel Clamp Brace	108	2.74	34.5	15.6
CCB100	10' 0" Swivel Clamp Brace	120	3.05	35.9	16.3

C5