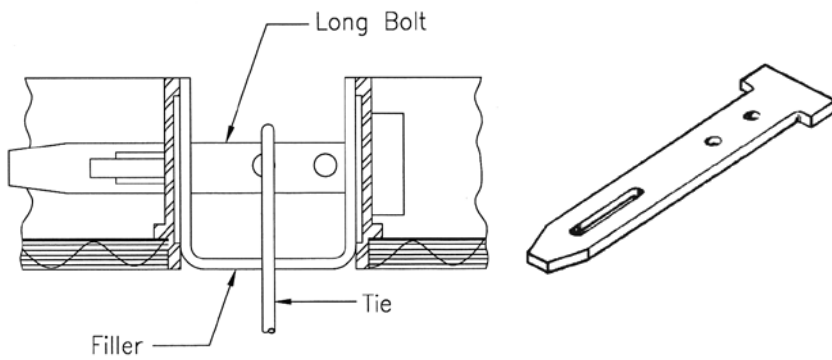


Wedge Bolt

connections enable unskilled laborers to become consistently productive. No special tools are required, just a hammer. Wedge Bolts connect panels and capture ties at the same time.



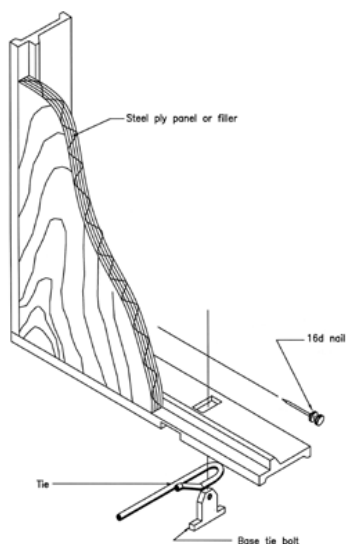
Long Bolt

similar to the Wedge Bolt, is used to connect the 1", 1½" and 2" steel filler to adjust panels and filler.



Short Bolt

With a shorter length and slot than a Wedge Bolt, the Short Bolt can be used to attach the pilaster form to a Uni-Form form.



Base Tie Bolt

The Base Tie Bolt secures either a panel tie or a flat tie to an end rail or a side rail (1) when resting on a footing, or (2) where panels butt against existing vertical surface.